

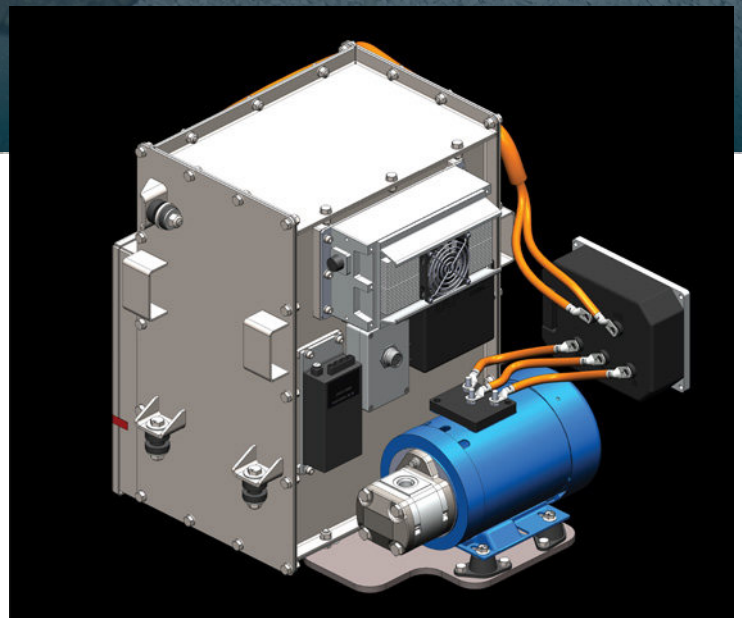
e550

ELECTRIC SKID STEER

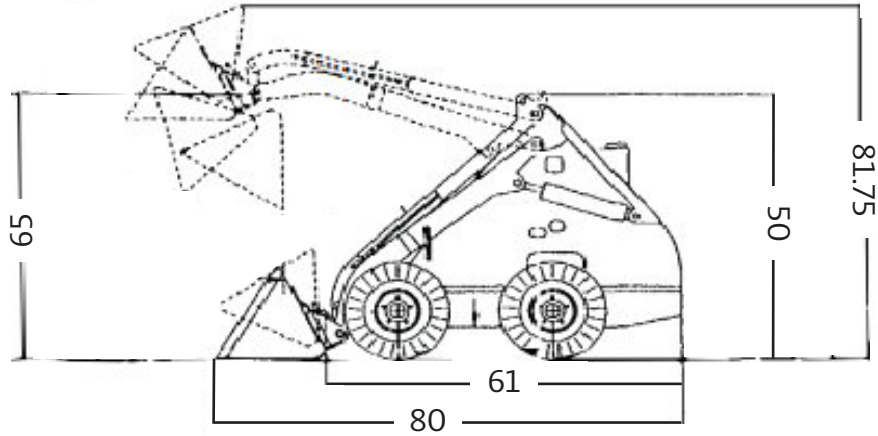
Compact and versatile for every job site

KEY BENEFITS

- 8 Hour run time
- Overnight charge 110v 1p 20a
- Full array of attachments for material handling, demolition, and more
- Integrated Battery Management System (BMS) with CAN 2.0b communication
- Zero noise



PHYSICAL PARAMETERS



*Dimensions in inches

PERFORMANCE

Operating weight	550 lbs	K. Wheel base	25 ¼ in
Shipping weight	1,810 lbs	M. Ground clearance	5 ½ in
Weight class	2 t	N. Angle of departure	26°
E. Dump angle	85°	O. Clearance circle without bucket	28 in
F. Dump height at 45° dump angle	45 ¼ in	P. Clearance circle with 31" bucket	48.5 in
G. Reach, fully raised at 45° dump angle	16 in	Q. Clearance circle rear	34.5 in
H. Height to bottom of 3.1" bucket	59 in	R. Overall width without bucket	35 in
I. Maximum roll back at ground	30 dg	S. Tread width	35 in
J. Maximum roll back fully raised	30 dg		

HYDRAULIC SYSTEM

Pump gear type, fixed displacement	0.58 cu in/rev (9.6 cc/rev)
Pump capacity	8.5 USGPM (13 l/min) @ 3600 RPM
Motor fixed displacement	18.7 cu in/rev (305 cc/rev)
System relief pressure (Max)	3000 PSI (200 Bar)
Filtration	Return line: 1 O Micron
Cylinders (3) double acting	2.50 Bore, 8.00 Stroke, 1.25 Rod

DRIVE SYSTEM

Motor power	19.7 hp (14.7 kW)
Motor torque	27.1 ft-lb (36.8 N-m)
Battery capacity	14.8 (usable)
Voltage (nominal)	51.8 V
Cycle life (80% of original)	2000
* Charge time	8h

WARRANTY

New machine limited warranty	Appendix
------------------------------	----------

FOR MORE INFORMATION

sales@voltaenergyco.com
716.968.8658