



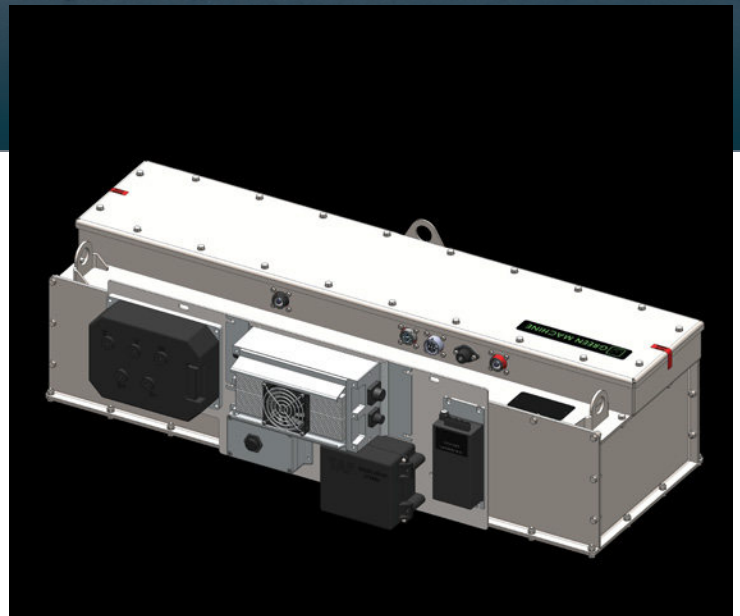
# lmd1200

ALL-ELECTRIC UTILITY VEHICLE

Compact and, durable, without compromises on features

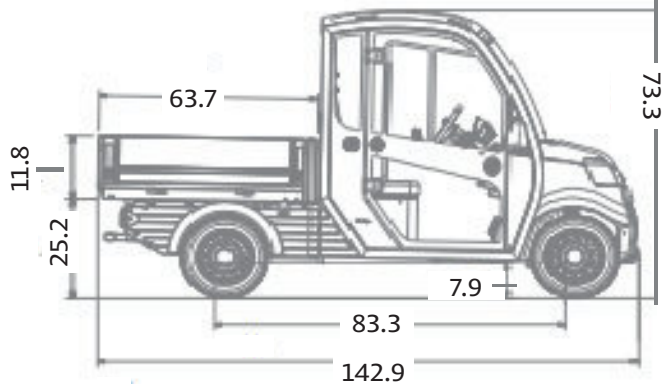
## KEY BENEFITS

- Zero emissions
- 50% quieter
- Payload up to 1,200 lbs
- Top speed off-road 35 mph
- Top speed on-road 25 mph (LSV)
- Up to 150 mile range
- Custom configurations
- Low cost operations



## PHYSICAL PARAMETERS

|   |             |
|---|-------------|
| Actual mass, incl battery (346 lbs)             | 1,872.0 lbs |
| Payload, incl. passengers                       | 1,128.0 lbs |
| Technically permissible laden mass /max. weight | 3,000.0 lbs |
| Front axle max                                  | 331.1 lbs   |
| Rear axle max                                   | 507.9 lbs   |
| Technically permissible maximum load mass       | 839.0 lbs   |



\*Dimensions in inches



## POWER

|                                     |                     |
|-------------------------------------|---------------------|
| Motor controller                    | Curtis1234          |
| WhisperDrive™ battery system 384 Ah | 19.8KWh             |
| Voltage (51.8 nominal)              | 42V min / 58.1V max |
| Cycle life                          | 2000                |
| * Charge Time                       | +/-4 hours          |

## PERFORMANCE

|                       |              |
|-----------------------|--------------|
| Top speed off-road    | 35 mph       |
| Top speed on-road     | 25 mph (LSV) |
| Range lithium 19.8 KW | 150m         |
| Turning radius        | 15.1 ftr     |
| Climb angle           | 25%          |

## COMFORT & EQUIPMENT

|  |              |
|--|--------------|
| Chassis                                  |              |
| Brakes hydraulic                         |              |
| Automatic parking brake                  | Rear         |
| Heated windscreen                        | Front        |
| Wipers & washer                          |              |
| Tires                                    | Front        |
| Speedometer                              | Yes          |
| Side mirrors                             | Right & Left |
| Seatbelts                                | Right & Left |
| Cabin heater with thermostat             | Diesel       |
| 2 Individual seats                       | Adjustable   |
| Headlights                               | Yes          |
| Cup holder                               | Yes          |
| Storage compartments in dashboard        | Yes          |
| Long cargo bed with removable drop sides | Yes          |
| Electric tilt bed                        | Optional     |
| Lockable cab door, rear hinged           | Yes          |

## WARRANTY

Battery pack – 5 years from purchase date/100,000 miles (whichever is first)

Vehicle other than pack – 3 years/20,000 miles (whichever is first)

## FOR MORE INFORMATION

sales@voltaenergyco.com  
716.968.8658