



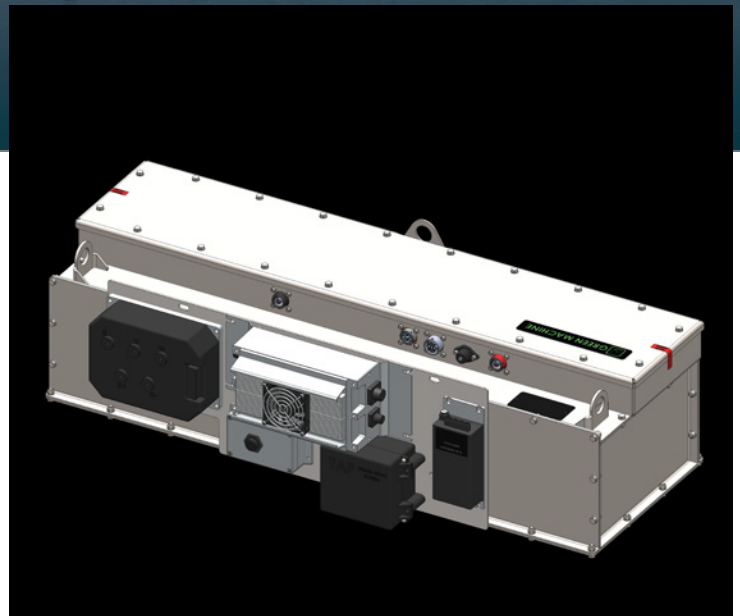
lmd1200

ALL-ELECTRIC UTILITY VEHICLE

Compact and, durable, without compromises on features

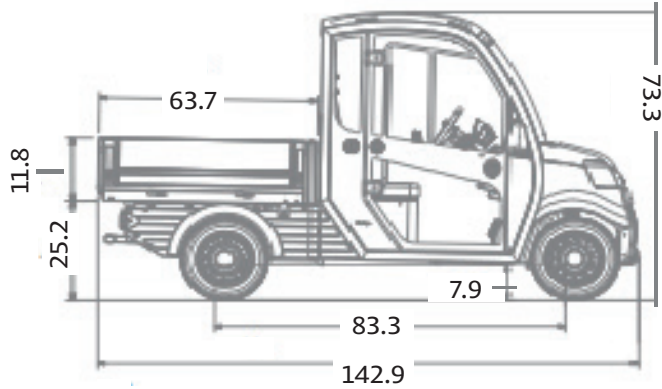
KEY BENEFITS

- Zero emissions
- 50% quieter
- Payload up to 1,200 lbs
- Top speed off-road 35 mph
- Top speed on-road 25 mph (LSV)
- Up to 150 mile range
- Custom configurations
- Low cost operations



PHYSICAL PARAMETERS

Actual mass, incl battery (346 lbs)	1,872.0 lbs
Payload, incl. passengers	1,128.0 lbs
Technically permissible laden mass /max. weight	3,000.0 lbs
Front axle max	331.1 lbs
Rear axle max	507.9 lbs
Technically permissible maximum load mass	839.0 lbs



*Dimensions in inches



POWER

Motor controller	Curtis1234
WhisperDrive™ battery system 384 Ah	19.8KWh
Voltage (51.8 nominal)	42V min / 58.1V max
Cycle life	2000
* Charge Time	+/-4 hours

PERFORMANCE

Top speed off-road	35 mph
Top speed on-road	25 mph (LSV)
Range lithium 19.8 KW	150m
Turning radius	15.1 ftr
Climb angle	25%

COMFORT & EQUIPMENT

Chassis	
Brakes hydraulic	
Automatic parking brake	Rear
Heated windscreen	Front
Wipers & washer	
Tires	Front
Speedometer	Yes
Side mirrors	Right & Left
Seatbelts	Right & Left
Cabin heater with thermostat	Diesel
2 Individual seats	Adjustable
Headlights	Yes
Cup holder	Yes
Storage compartments in dashboard	Yes
Long cargo bed with removable drop sides	Yes
Electric tilt bed	Optional
Lockable cab door, rear hinged	Yes

WARRANTY

Battery pack – 5 years from purchase date/100,000 miles (whichever is first)

Vehicle other than pack – 3 years/20,000 miles (whichever is first)

FOR MORE INFORMATION

sales@greenmachineco.com
716.968.8658